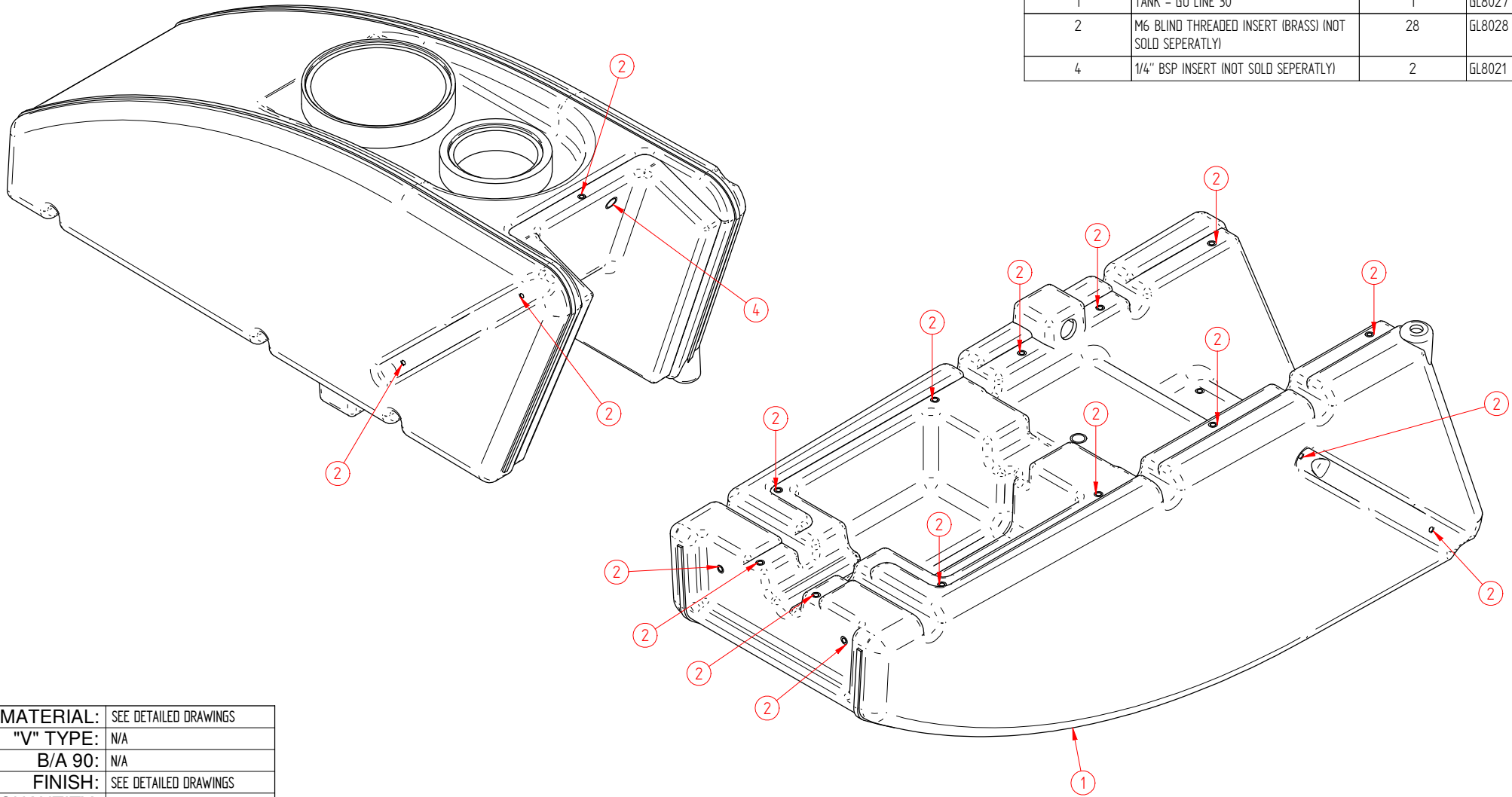
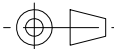


Item Number	Title	Quantity	Comments
1	TANK - GO LINE 30	1	GL8027
2	M6 BLIND THREADED INSERT (BRASS) (NOT SOLD SEPERATLY)	28	GL8028
4	1/4" BSP INSERT (NOT SOLD SEPERATLY)	2	GL8021



MATERIAL:	SEE DETAILED DRAWINGS
"V" TYPE:	N/A
B/A 90:	N/A
FINISH:	SEE DETAILED DRAWINGS
QUANTITY:	1 OFF PER UNIT

3	REVISION DESCRIPTION	DRAWN	CHECK	DATE		TITLE		DATE	datedrawn
	ISSUED FOR MANUFACTURE	B.K.	B.K.	2008/07/23			CUSTOMER: DURA PAINTS		
INSERTS REMOVED	B.K.	B.K.	2009/02/04		PROJECT: GO-LINE 30 MARKING SYSTEM			SCALE	N.T.S
1/4" BSP BRASS INSERT REMOVED	B.K.	B.K.	2009/06/01		PART: TANK ASSEMBLY			DRAWN	B.K.
1/4" BSP BRASS INSERT ADDED	B.K.	B.K.	2009/09/14		PROG: PROGRAM NAME: B629			CHECKED	
					LASER DISK : <input type="checkbox"/>			APP'D	
					CNC LOCATION : <input type="checkbox"/>				
					Drawing Number: B629				

TOLERANCE TO BE +0.5 MM UNLESS OTHERWISE STATED